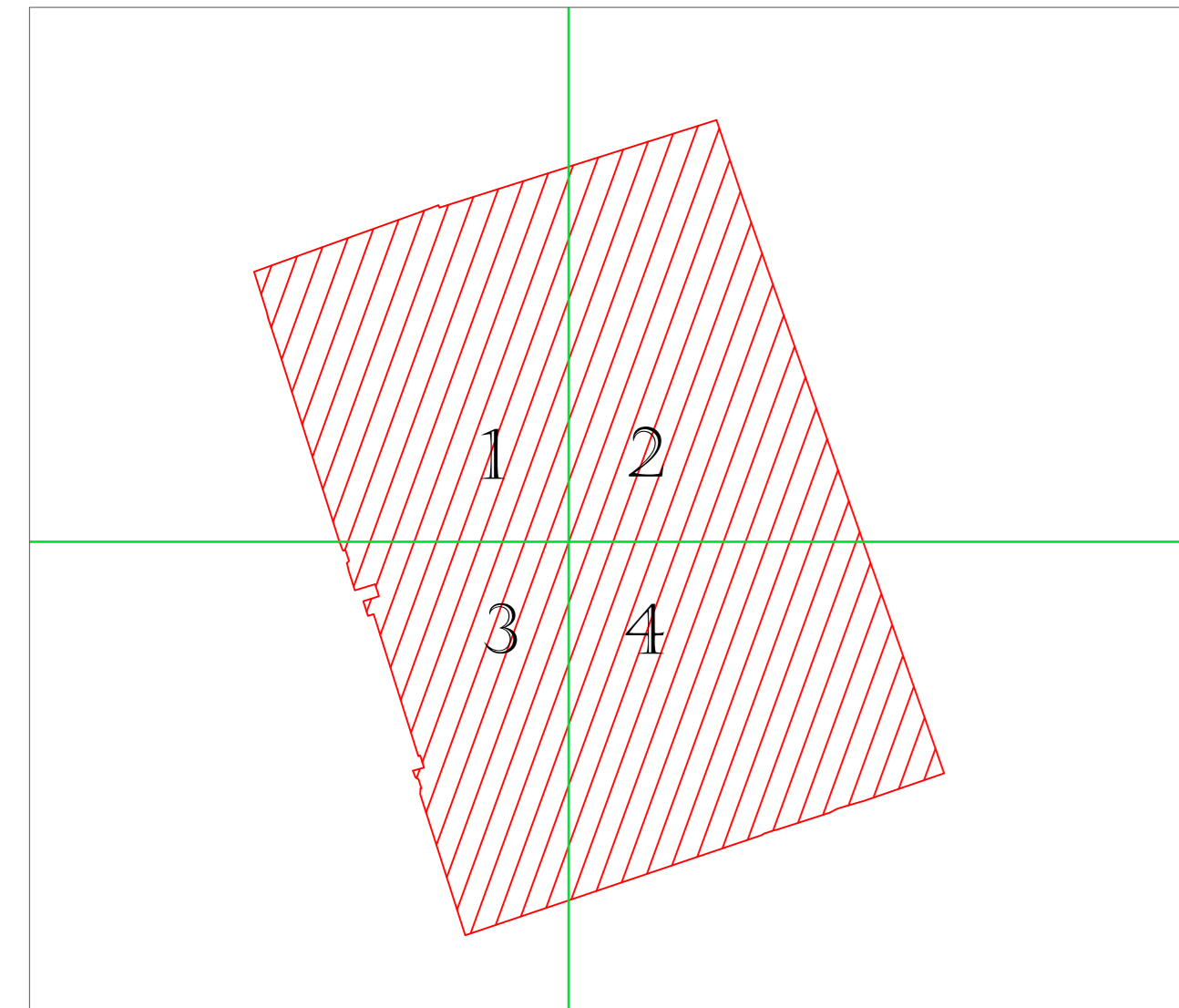


MASTER PLAN OF THQ HOSPITAL LIAQATPUR

PART 1

PART 2



PART 3

PART 4

Legends:

RESIDENTIAL AREA	
ROAD	
WALL	
POWER LINE	
OHT	
TREE	
MANHOLE	
TUBE WELL	
LIGHT POLE	
LAWNS	
EARTHEN AREAS	
ASPHALTS ROADS	
TOUGH PAVERS	
P.C.C /PLINTH PROTECTION	
BOUNDARY WALL	
TAP	
HAND PUMP	
BRICK PAVERS	
AIR CONDITIONER	
TUBE LIGHT	
FAN	
ROOF LIGHT	
BULB	

AREA	
AREA WITHIN BOUNDARY WALL	255225.47 SFT
AREA OF CLINICAL BLOCK	54536.57 SFT
PLINTH AREA OF BLOCK	48641.92 SFT

OPENING SCHEDULE OF DOORS AND WINDOWS

DOORS	WIDTH	HEIGHT	WINDOWS	WIDTH	HEIGHT
D1	2'-6"	7'-0"	W1	2'-6"	2'-6"
D2	3'-0"	7'-0"	W2	3'-0"	3'-0"
D3	3'-6"	7'-0"	W3	4'-0"	4'-0"
D4	4'-0"	7'-0"	W4	5'-0"	5'-0"
D5	5'-0"	7'-0"	W5	6'-0"	6'-0"
D6	6'-0"	7'-0"	W6	8'-0"	8'-0"
D7	7'-0"	7'-0"	W7	9'-0"	9'-0"
D8	8'-0"	7'-0"	V1		
D9			V2		

Client:



**GOVERNMENT OF THE PUNJAB
PRIMARY & SECONDARY
HEALTHCARE DEPARTMENT**

Project:

**CAD MAPPING OF TEHSIL
HEAD QUARTER HOSPITALS,
PUNJAB**

Consultant:



SKAFS CONSULTANT (Pvt.) Limited
ENGINEERING AND ENVIRONMENT CONSULTANT

Drawing Title: **THQ LIAQATPUR
HOSPITAL MASTER PLAN**

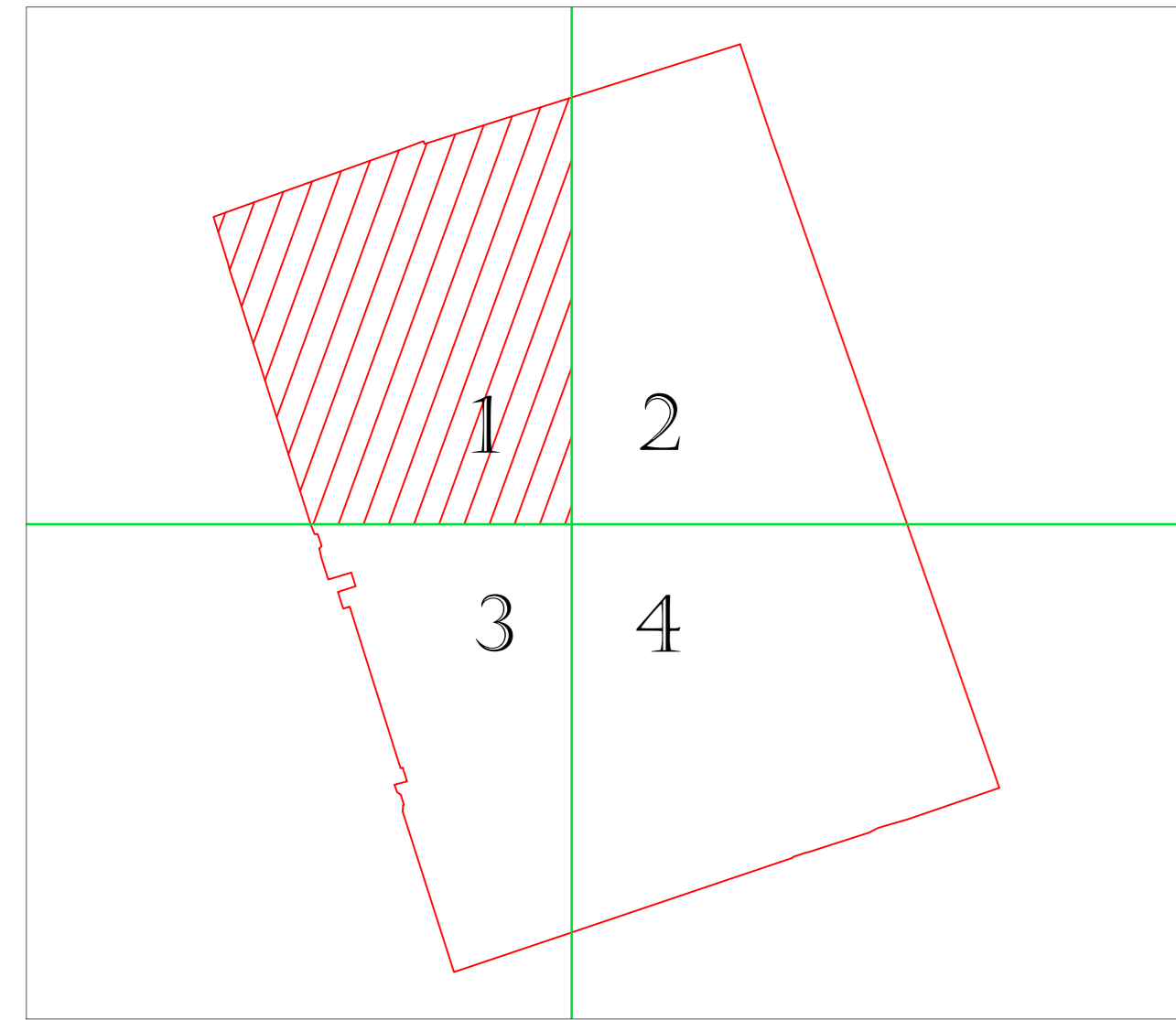
Authorized By: SKAFS	Reviewed By: Co-Team Leader	Scale: 1:500
-------------------------	--------------------------------	-----------------

Prepared By: CAD TEAMS	Date: FEB, 2017
---------------------------	--------------------

Drawing No. SKAFS/LIAQATPUR /03

MASTER PLAN OF THQ HOSPITAL LIAQATPUR

PART 1



Legends:

RESIDENTIAL AREA	
ROAD	
WALL	
POWER LINE	
OHT	
TREE	
MANHOLE	
TUBE WELL	
LIGHT POLE	
LAWNS	
EARTHEN AREAS	
ASPHALTS ROADS	
TOUGH PAVERS	
P.C.C /PLINTH PROTECTION	
BOUNDARY WALL	
TAP	
HAND PUMP	
BRICK PAVERS	
AIR CONDITIONER	
TUBE LIGHT	
FAN	
ROOF LIGHT	
BULB	

AREA

AREA WITHIN BOUNDARY WALL	255225.47 SFT
AREA OF CLINICAL BLOCK	54536.57 SFT
PLINTH AREA OF BLOCK	48641.92 SFT

OPENING SCHEDULE OF DOORS AND WINDOWS

DOORS	WIDTH	HEIGHT	WINDOWS	WIDTH	HEIGHT
D1	2'-6"	7'-0"	W1	2'-6"	2'-6"
D2	3'-0"	7'-0"	W2	3'-0"	3'-0"
D3	3'-6"	7'-0"	W3	4'-0"	4'-0"
D4	4'-0"	7'-0"	W4	5'-0"	5'-0"
D5	5'-0"	7'-0"	W5	6'-0"	6'-0"
D6	6'-0"	7'-0"	W6	8'-0"	8'-0"
D7	7'-0"	7'-0"	W7	9'-0"	9'-0"
D8	8'-0"	7'-0"	V1		
D9			V2		

Client:

**GOVERNMENT OF THE PUNJAB
PRIMARY & SECONDARY
HEALTHCARE DEPARTMENT**

Project:

**CAD MAPPING OF TEHSIL
HEAD QUARTER HOSPITALS,
PUNJAB**

Consultant:

**SKAFS CONSULTANT (Pvt.) Limited
ENGINEERING AND ENVIRONMENT CONSULTANT**

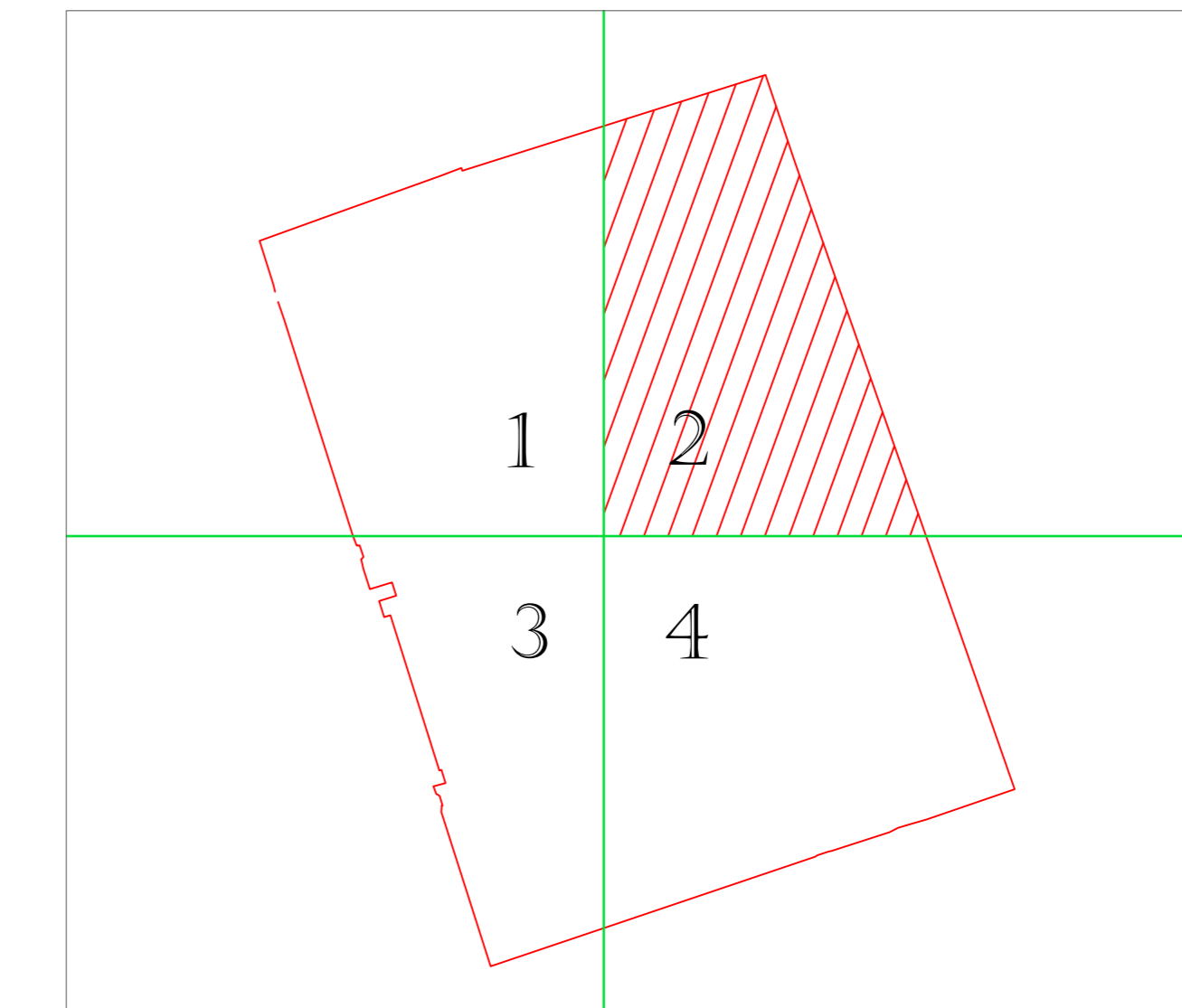
Drawing Title:

**THQ LIAQATPUR
HOSPITAL MASTER PLAN
PART 1**

Authorized By: SKAFS	Reviewed By: Co-Team Leader	Scale:
Prepared By: CAD TEAMS	Date: FEB, 2017	Sheet:
Drawing No.		SKAFS/LIAQATPUR /04

MASTER PLAN OF THQ HOSPITAL LIAQATPUR

PART 2



Legends:

RESIDENTIAL AREA	
ROAD	
WALL	
POWER LINE	
OHT	
TREE	
MANHOLE	
TUBE WELL	
LIGHT POLE	
LAWNS	
EARTHEN AREAS	
ASPHALTS ROADS	
TOUGH PAVERS	
P.C.C /PLINTH PROTECTION	
BOUNDARY WALL	
TAP	
HAND PUMP	
BRICK PAVERS	
AIR CONDITIONER	
TUBE LIGHT	
FAN	
ROOF LIGHT	
BULB	

AREA	
AREA WITHIN BOUNDARY WALL	255225.47 SFT
AREA OF CLINICAL BLOCK	54536.57 SFT
PLINTH AREA OF BLOCK	48641.92 SFT

OPENING SCHEDULE OF DOORS AND WINDOWS					
DOORS	WIDTH	HEIGHT	WINDOWS	WIDTH	HEIGHT
D1	2'-6"	7'-0"	W1	2'-6"	2'-6"
D2	3'-0"	7'-0"	W2	3'-0"	3'-0"
D3	3'-6"	7'-0"	W3	4'-0"	4'-0"
D4	4'-0"	7'-0"	W4	5'-0"	5'-0"
D5	5'-0"	7'-0"	W5	6'-0"	6'-0"
D6	6'-0"	7'-0"	W6	8'-0"	8'-0"
D7	7'-0"	7'-0"	W7	9'-0"	9'-0"
D8	8'-0"	7'-0"	V1		
D9			V2		

Client:



**GOVERNMENT OF THE PUNJAB
PRIMARY & SECONDARY
HEALTHCARE DEPARTMENT**

Project:

**CAD MAPPING OF TEHSIL
HEAD QUARTER HOSPITALS,
PUNJAB**

Consultant:



SKAFS CONSULTANT (Pvt.) Limited
ENGINEERING AND ENVIRONMENT CONSULTANT

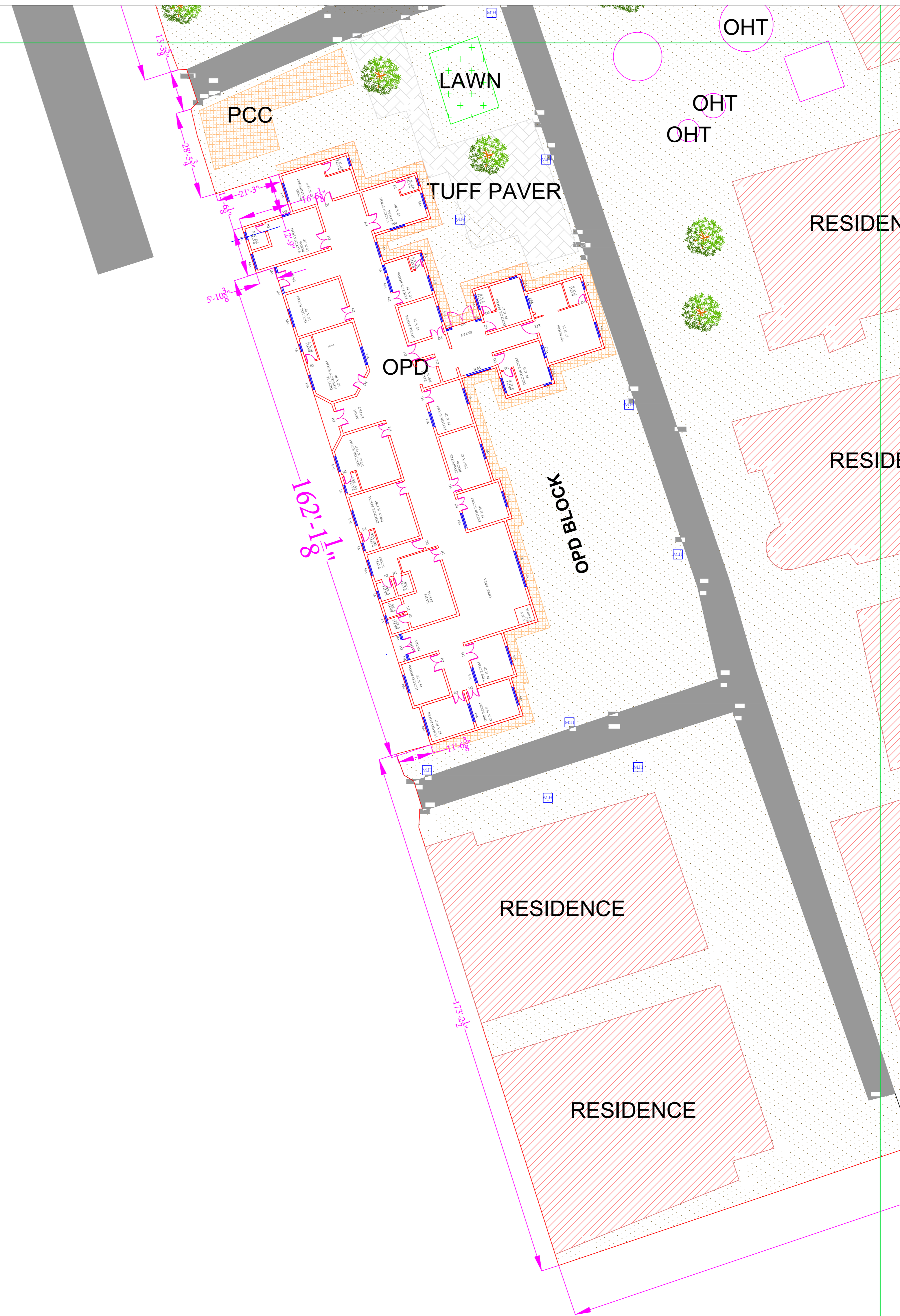
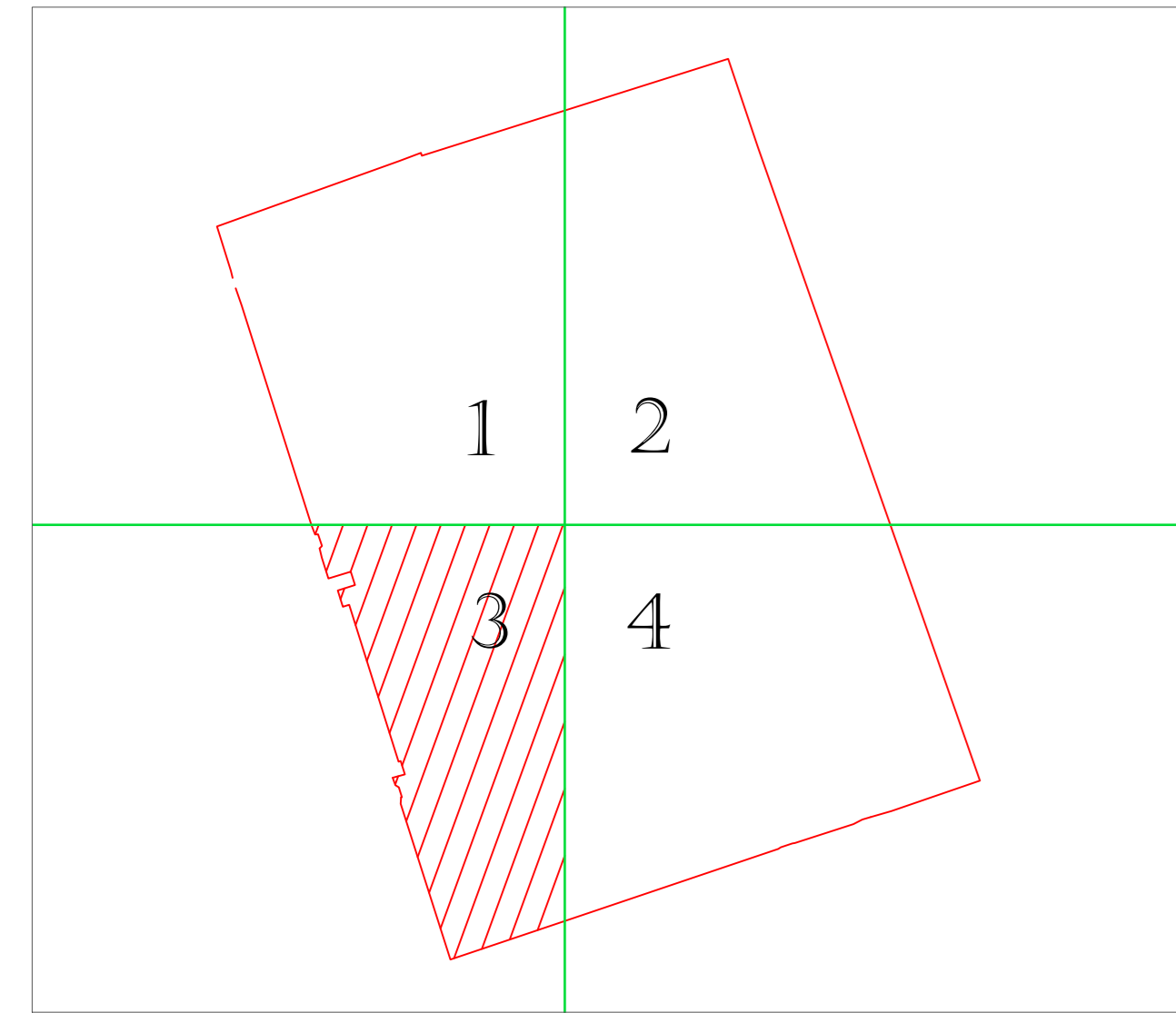
Drawing Title: **THQ LIAQATPUR
HOSPITAL MASTER PLAN
PART 2**

Authorized By: SKAFS	Reviewed By: Co-Team Leader	Scale:
Prepared By: CAD TEAMS	Date: FEB, 2017	Sheet:
Drawing No. SKAFS/LIAQATPUR /05		



MASTER PLAN OF THQ HOSPITAL LIAQATPUR

PART 3



Legends:

RESIDENTIAL AREA	
ROAD	
WALL	
POWER LINE	
OHT	
TREE	
MANHOLE	
TUBE WELL	
LIGHT POLE	
LAWNS	
EARTHEN AREAS	
ASPHALTS ROADS	
TOUGH PAVERS	
P.C.C /PLINTH PROTECTION	
BOUNDARY WALL	
TAP	
HAND PUMP	
BRICK PAVERS	
AIR CONDITIONER	
TUBE LIGHT	
FAN	
ROOF LIGHT	
BULB	

AREA	
AREA WITHIN BOUNDARY WALL	255225.47 SFT
AREA OF CLINICAL BLOCK	54536.57 SFT
PLINTH AREA OF BLOCK	48641.92 SFT

OPENING SCHEDULE OF DOORS AND WINDOWS					
DOORS	WIDTH	HEIGHT	WINDOWS	WIDTH	HEIGHT
D1	2'-6"	7'-0"	W1	2'-6"	2'-6"
D2	3'-0"	7'-0"	W2	3'-0"	3'-0"
D3	3'-6"	7'-0"	W3	4'-0"	4'-0"
D4	4'-0"	7'-0"	W4	5'-0"	5'-0"
D5	5'-0"	7'-0"	W5	6'-0"	6'-0"
D6	6'-0"	7'-0"	W6	8'-0"	8'-0"
D7	7'-0"	7'-0"	W7	9'-0"	9'-0"
D8	8'-0"	7'-0"	V1		
D9			V2		

Client:

**GOVERNMENT OF THE PUNJAB
PRIMARY & SECONDARY
HEALTHCARE DEPARTMENT**

Project:

**CAD MAPPING OF TEHSIL
HEAD QUARTER HOSPITALS,
PUNJAB**

Consultant:

SKAFS CONSULTANT (Pvt.) Limited
ENGINEERING AND ENVIRONMENT CONSULTANT

Drawing Title:

**THQ LIAQATPUR
HOSPITAL MASTER PLAN
PART 3**

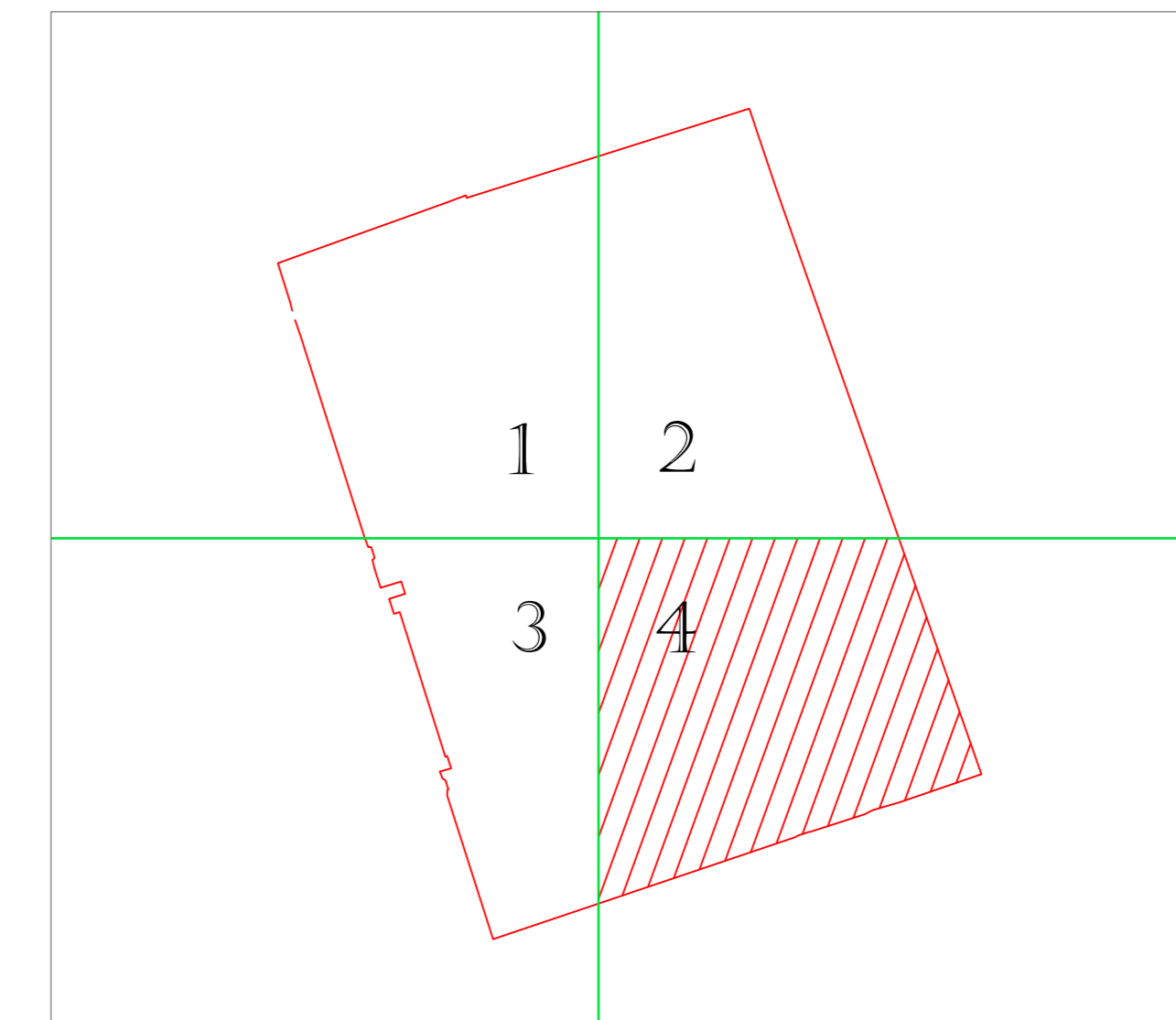
Authorized By: SKAFS	Reviewed By: Co-Team Leader	Scale:
Prepared By: CAD TEAMS	Date: FEB, 2017	
Drawing No. SKAFS/LIAQATPUR /06		

MASTER PLAN OF THQ HOSPITAL LIAQATPUR

PART 4

Legends:

RESIDENTIAL AREA	
ROAD	
WALL	
POWER LINE	
OHT	
TREE	
MANHOLE	
TUBE WELL	
LIGHT POLE	
LAWNS	
EARTHEN AREAS	
ASPHALTS ROADS	
TOUGH PAVERS	
P.C.C /PLINTH PROTECTION	
BOUNDARY WALL	
TAP	
HAND PUMP	
BRICK PAVERS	
AIR CONDITIONER	
TUBE LIGHT	
FAN	
ROOF LIGHT	
BULB	



AREA	
AREA WITHIN BOUNDARY WALL	255225.47 SFT
AREA OF CLINICAL BLOCK	54536.57 SFT
PLINTH AREA OF BLOCK	48641.92 SFT

OPENING SCHEDULE OF DOORS AND WINDOWS					
DOORS	WIDTH	HEIGHT	WINDOWS	WIDTH	HEIGHT
D1	2'-6"	7'-0"	W1	2'-6"	2'-6"
D2	3'-0"	7'-0"	W2	3'-0"	3'-0"
D3	3'-6"	7'-0"	W3	4'-0"	4'-0"
D4	4'-0"	7'-0"	W4	5'-0"	5'-0"
D5	5'-0"	7'-0"	W5	6'-0"	6'-0"
D6	6'-0"	7'-0"	W6	8'-0"	8'-0"
D7	7'-0"	7'-0"	W7	9'-0"	9'-0"
D8	8'-0"	7'-0"	V1		
D9			V2		

Client:



**GOVERNMENT OF THE PUNJAB
PRIMARY & SECONDARY
HEALTHCARE DEPARTMENT**

Project:

**CAD MAPPING OF TEHSIL
HEAD QUARTER HOSPITALS,
PUNJAB**

Consultant:

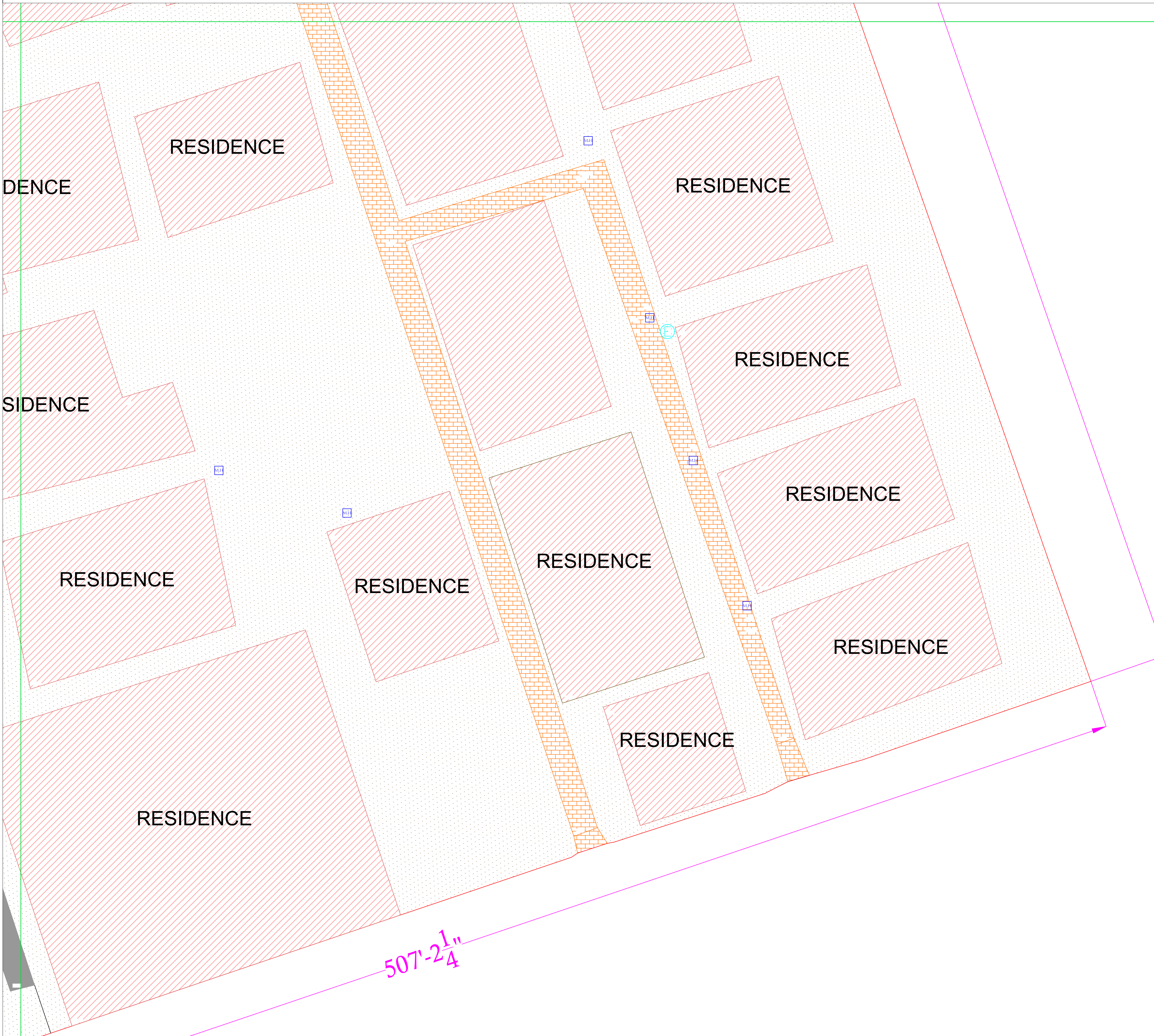


SKAFS CONSULTANT (Pvt.) Limited
ENGINEERING AND ENVIRONMENT CONSULTANT

Drawing Title: **THQ LIAQATPUR
HOSPITAL MASTER PLAN
PART 4**

Authorized By: SKAFS	Reviewed By: Co-Team Leader	Scale:
Prepared By: CAD TEAMS	Date: FEB, 2017	

Drawing No. **SKAFS/LIAQATPUR /07**



CLINICAL BLOCK OF THQ HOSPITAL LIAQATPUR GROUND FLOOR

PART 1

PART 2

PART 3

PART 4

Legends:

RESIDENTIAL AREA	
ROAD	
WALL	
POWER LINE	
OHT	
TREE	
MANHOLE	
TUBE WELL	
LIGHT POLE	
LAWNS	
EARTHEN AREAS	
ASPHALTS ROADS	
TOUGH PAVERS	
P.C.C /PLINTH PROTECTION	
BOUNDARY WALL	
TAP	
HAND PUMP	
BRICK PAVERS	
AIR CONDITIONER	
TUBE LIGHT	
FAN	
ROOF LIGHT	
BULB	

AREA	
AREA WITHIN BOUNDARY WALL	255225.47 SFT
AREA OF CLINICAL BLOCK	54536.57 SFT
PLINTH AREA OF BLOCK	48641.92 SFT

OPENING SCHEDULE OF DOORS AND WINDOWS					
DOORS	WIDTH	HEIGHT	WINDOWS	WIDTH	HEIGHT
D1	2'-6"	7'-0"	W1	2'-6"	2'-6"
D2	3'-0"	7'-0"	W2	3'-0"	3'-0"
D3	3'-6"	7'-0"	W3	4'-0"	4'-0"
D4	4'-0"	7'-0"	W4	5'-0"	5'-0"
D5	5'-0"	7'-0"	W5	6'-0"	6'-0"
D6	6'-0"	7'-0"	W6	8'-0"	8'-0"
D7	7'-0"	7'-0"	W7	9'-0"	9'-0"
D8	8'-0"	7'-0"	V1		
D9			V2		

Client:



**GOVERNMENT OF THE PUNJAB
PRIMARY & SECONDARY
HEALTHCARE DEPARTMENT**

Project:

**CAD MAPPING OF TEHSIL
HEAD QUARTER HOSPITALS,
PUNJAB**

Consultant:



**SKAFS CONSULTANT (Pvt.) Limited
ENGINEERING AND ENVIRONMENT CONSULTANT**

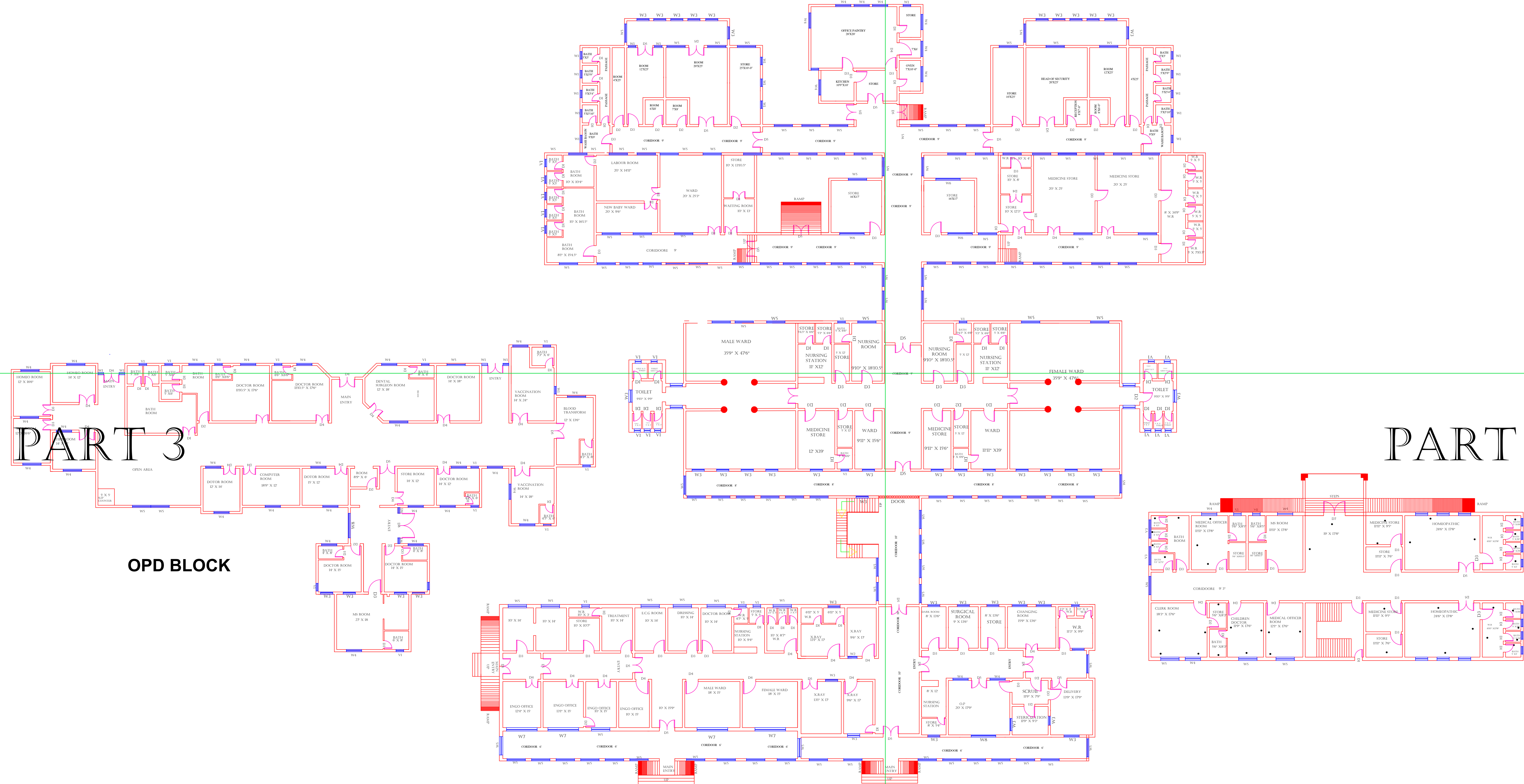
Drawing Title:

**THQ LIAQATPUR
HOSPITAL MAIN BUILDING
CLINICAL BLOCK PLAN**

Authorized By: SKAFS	Reviewed By Co-Team Leader	Scale: 1:500
-------------------------	-------------------------------	-----------------

Prepared By: CAD TEAMS	Date: FEB, 2017
---------------------------	--------------------

Drawing No. **SKAFS/LIAQATPUR /08**



OPD BLOCK

EMERGENCY
BLOCK

CLINICAL BLOCK OF THQ HOSPITAL LIAQATPUR

GROUND FLOOR (PART 1)

Legends:

RESIDENTIAL AREA	
ROAD	
WALL	
POWER LINE	
OHT	
TREE	
MANHOLE	
TUBE WELL	
LIGHT POLE	
LAWNS	
EARTHEN AREAS	
ASPHALTS ROADS	
TOUGH PAVERS	
P.C.C /PLINTH PROTECTION	
BOUNDARY WALL	
TAP	
HAND PUMP	
BRICK PAVERS	
AIR CONDITIONER	
TUBE LIGHT	
FAN	
ROOF LIGHT	
BULB	

AREA	
AREA WITHIN BOUNDARY WALL	255225.47 SFT
AREA OF CLINICAL BLOCK	54536.57 SFT
PLINTH AREA OF BLOCK	48641.92 SFT

OPENING SCHEDULE OF DOORS AND WINDOWS

DOORS	WIDTH	HEIGHT	WINDOWS	WIDTH	HEIGHT
D1	2'-6"	7'-0"	W1	2'-6"	2'-6"
D2	3'-0"	7'-0"	W2	3'-0"	3'-0"
D3	3'-6"	7'-0"	W3	4'-0"	4'-0"
D4	4'-0"	7'-0"	W4	5'-0"	5'-0"
D5	5'-0"	7'-0"	W5	6'-0"	6'-0"
D6	6'-0"	7'-0"	W6	8'-0"	8'-0"
D7	7'-0"	7'-0"	W7	9'-0"	9'-0"
D8	8'-0"	7'-0"	V1		
D9			V2		

Client:



GOVERNMENT OF THE PUNJAB
PRIMARY & SECONDARY
HEALTHCARE DEPARTMENT

Project:

CAD MAPPING OF TEHSIL
HEAD QUARTER HOSPITALS,
PUNJAB

Consultant:



SKAFS CONSULTANT (Pvt.) Limited
ENGINEERING AND ENVIRONMENT CONSULTANT

Drawing Title:

THQ LIAQATPUR
HOSPITAL CLINICAL BLOCK
PART 1

Authorized By:

SKAFS

Reviewed By:

Co-Team Leader

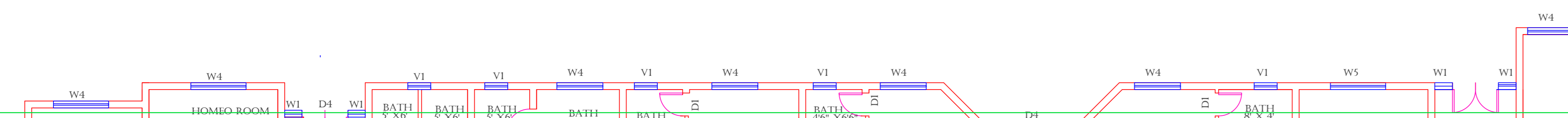
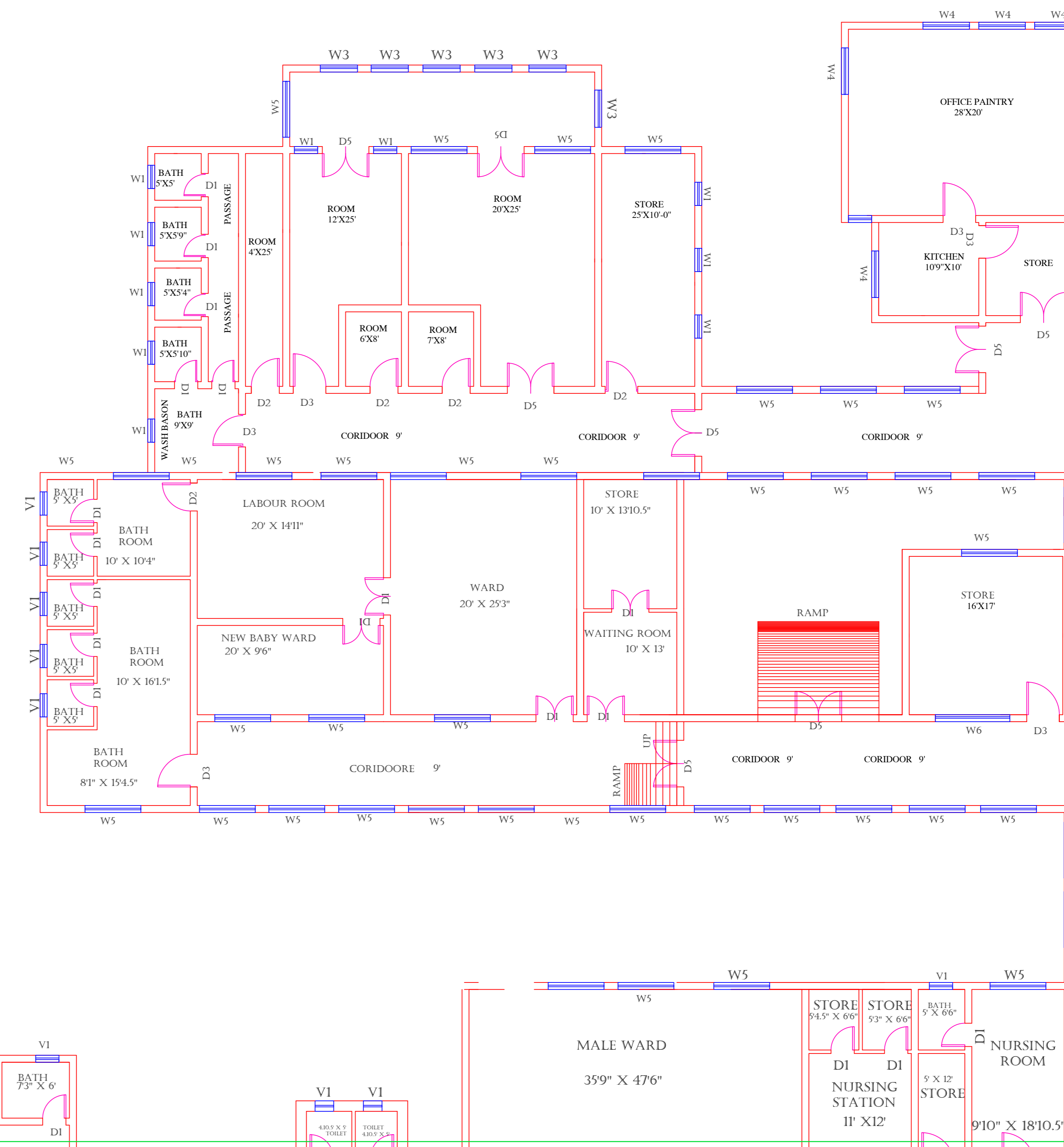
Scale:

Prepared By: CAD TEAMS

Date: FEB, 2017

Drawing No.

SKAFS/LIAQATPUR /09



CLINICAL BLOCK OF THQ HOSPITAL LIAQATPUR GROUND FLOOR (PART 2)

Legends:

RESIDENTIAL AREA	
ROAD	
WALL	
POWER LINE	
OHT	
TREE	
MANHOLE	
TUBE WELL	
LIGHT POLE	
LAWNS	
EARTHEN AREAS	
ASPHALTS ROADS	
TOUGH PAVERS	
P.C.C /PLINTH PROTECTION	
BOUNDARY WALL	
TAP	
HAND PUMP	
BRICK PAVERS	
AIR CONDITIONER	
TUBE LIGHT	
FAN	
ROOF LIGHT	
BULB	

AREA	
AREA WITHIN BOUNDARY WALL	255225.47 SFT
AREA OF CLINICAL BLOCK	54536.57 SFT
PLINTH AREA OF BLOCK	48641.92 SFT

OPENING SCHEDULE OF DOORS AND WINDOWS

DOORS	WIDTH	HEIGHT	WINDOWS	WIDTH	HEIGHT
D1	2'-6"	7'-0"	W1	2'-6"	2'-6"
D2	3'-0"	7'-0"	W2	3'-0"	3'-0"
D3	3'-6"	7'-0"	W3	4'-0"	4'-0"
D4	4'-0"	7'-0"	W4	5'-0"	5'-0"
D5	5'-0"	7'-0"	W5	6'-0"	6'-0"
D6	6'-0"	7'-0"	W6	8'-0"	8'-0"
D7	7'-0"	7'-0"	W7	9'-0"	9'-0"
D8	8'-0"	7'-0"	V1		
D9			V2		

Client:



GOVERNMENT OF THE PUNJAB
PRIMARY & SECONDARY
HEALTHCARE DEPARTMENT

Project:

CAD MAPPING OF TEHSIL
HEAD QUARTER HOSPITALS,
PUNJAB

Consultant:



SKAFS CONSULTANT (Pvt.) Limited
ENGINEERING AND ENVIRONMENT CONSULTANT

Drawing Title:

THQ LIAQATPUR
HOSPITAL CLINICAL BLOCK
PART 2

Authorized By: SKAFS

Reviewed By: Co-Team Leader

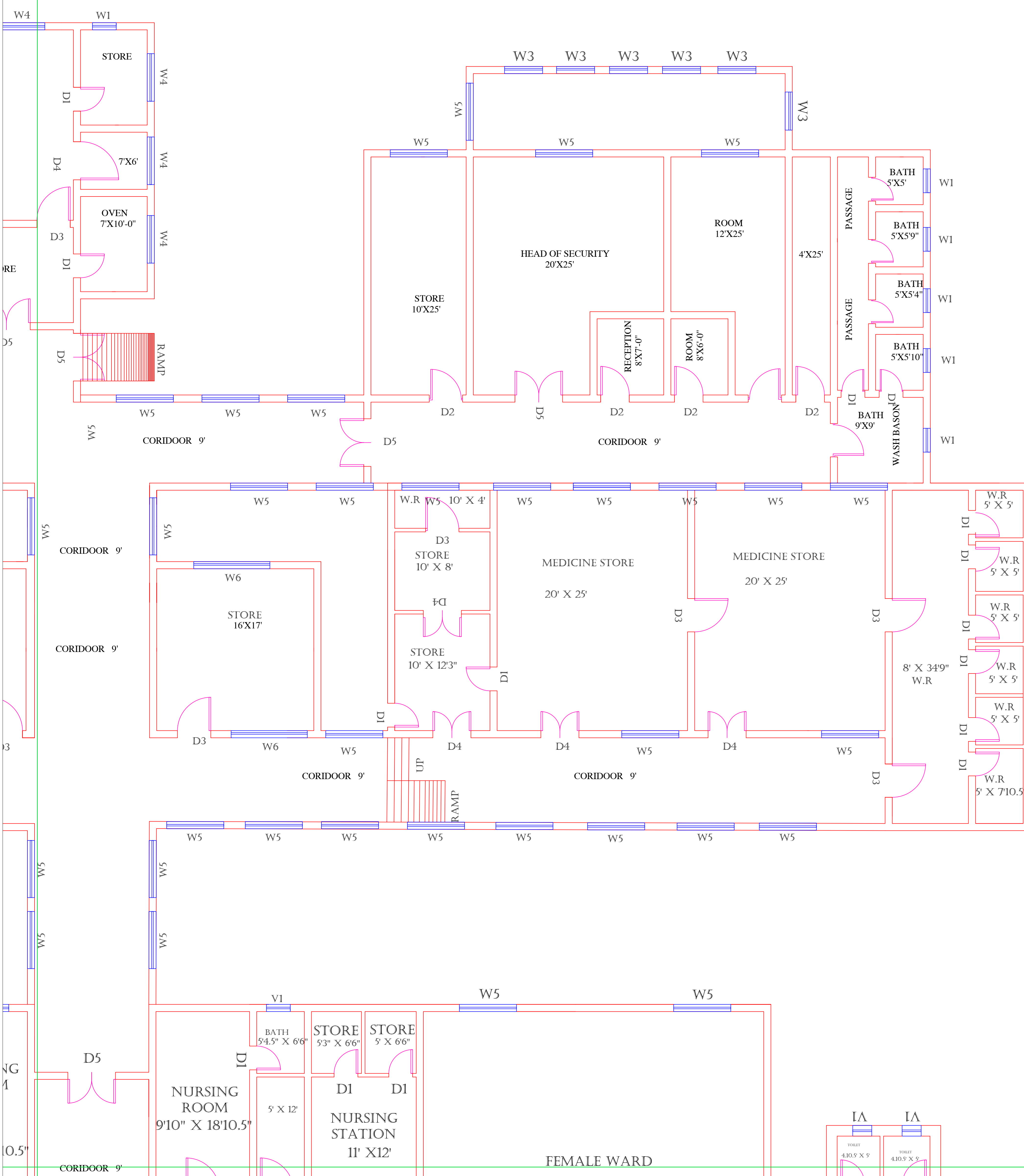
Scale:

Prepared By: CAD TEAMS

Date: FEB, 2017

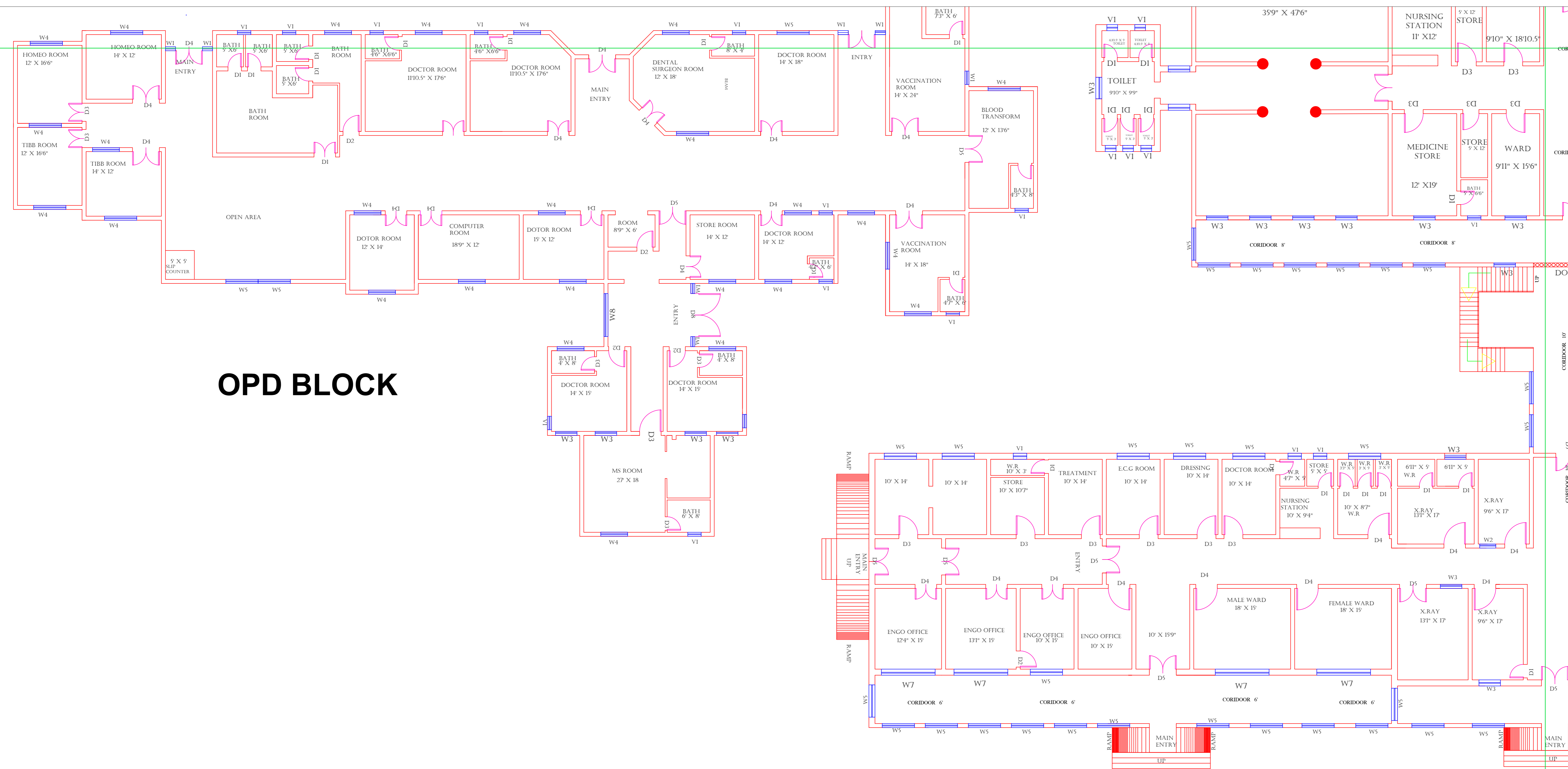
Drawing No.

SKAFS/LIAQATPUR /10



CLINICAL BLOCK OF THQ HOSPITAL LIAQATPUR

GROUND FLOOR (PART 3)



OPD BLOCK

Legends:

RESIDENTIAL AREA	
ROAD	
WALL	
POWER LINE	
OHT	
TREE	
MANHOLE	
TUBE WELL	
LIGHT POLE	
LAWNS	
EARTHEN AREAS	
ASPHALTS ROADS	
TOUGH PAVERS	
P.C.C /PLINTH PROTECTION	
BOUNDARY WALL	
TAP	
HAND PUMP	
BRICK PAVERS	
AIR CONDITIONER	
TUBE LIGHT	
FAN	
ROOF LIGHT	
BULB	

AREA

AREA WITHIN BOUNDARY WALL	255225.47 SFT
AREA OF CLINICAL BLOCK	54536.57 SFT
PLINTH AREA OF BLOCK	48641.92 SFT

OPENING SCHEDULE OF DOORS AND WINDOWS

DOORS	WIDTH	HEIGHT	WINDOWS	WIDTH	HEIGHT
D1	2'-6"	7'-0"	W1	2'-6"	2'-6"
D2	3'-0"	7'-0"	W2	3'-0"	3'-0"
D3	3'-6"	7'-0"	W3	4'-0"	4'-0"
D4	4'-0"	7'-0"	W4	5'-0"	5'-0"
D5	5'-0"	7'-0"	W5	6'-0"	6'-0"
D6	6'-0"	7'-0"	W6	8'-0"	8'-0"
D7	7'-0"	7'-0"	W7	9'-0"	9'-0"
D8	8'-0"	7'-0"	V1		
D9			V2		

Client:



**GOVERNMENT OF THE PUNJAB
PRIMARY & SECONDARY
HEALTHCARE DEPARTMENT**

Project:

**CAD MAPPING OF TEHSIL
HEAD QUARTER HOSPITALS,
PUNJAB**

Consultant:



SKAFS CONSULTANT (Pvt.) Limited
ENGINEERING AND ENVIRONMENT CONSULTANT

Drawing Title: **THQ LIAQATPUR
HOSPITAL CLINICAL BLOCK
PART 3**

Authorized By: SKAFS	Reviewed By Co-Team Leader	Scale:
Prepared By: CAD TEAMS	Date: FEB, 2017	
Drawing No.		SKAFS/LIAQATPUR /11

CLINICAL BLOCK OF THQ HOSPITAL LIAQATPUR GROUND FLOOR (PART 4)

Legends:

RESIDENTIAL AREA	
ROAD	
WALL	
POWER LINE	
OHT	
TREE	
MANHOLE	
TUBE WELL	
LIGHT POLE	
LAWNS	
EARTHEN AREAS	
ASPHALTS ROADS	
TOUGH PAVERS	
P.C.C /PLINTH PROTECTION	
BOUNDARY WALL	
TAP	
HAND PUMP	
BRICK PAVERS	
AIR CONDITIONER	
TUBE LIGHT	
FAN	
ROOF LIGHT	
BULB	

AREA	
AREA WITHIN BOUNDARY WALL	255225.47 SFT
AREA OF CLINICAL BLOCK	54536.57 SFT
PLINTH AREA OF BLOCK	48641.92 SFT

OPENING SCHEDULE OF DOORS AND WINDOWS					
DOORS	WIDTH	HEIGHT	WINDOWS	WIDTH	HEIGHT
D1	2'-6"	7'-0"	W1	2'-6"	2'-6"
D2	3'-0"	7'-0"	W2	3'-0"	3'-0"
D3	3'-6"	7'-0"	W3	4'-0"	4'-0"
D4	4'-0"	7'-0"	W4	5'-0"	5'-0"
D5	5'-0"	7'-0"	W5	6'-0"	6'-0"
D6	6'-0"	7'-0"	W6	8'-0"	8'-0"
D7	7'-0"	7'-0"	W7	9'-0"	9'-0"
D8	8'-0"	7'-0"	V1		
D9			V2		

Client:



**GOVERNMENT OF THE PUNJAB
PRIMARY & SECONDARY
HEALTHCARE DEPARTMENT**

Project:

**CAD MAPPING OF TEHSIL
HEAD QUARTER HOSPITALS,
PUNJAB**

Consultant:



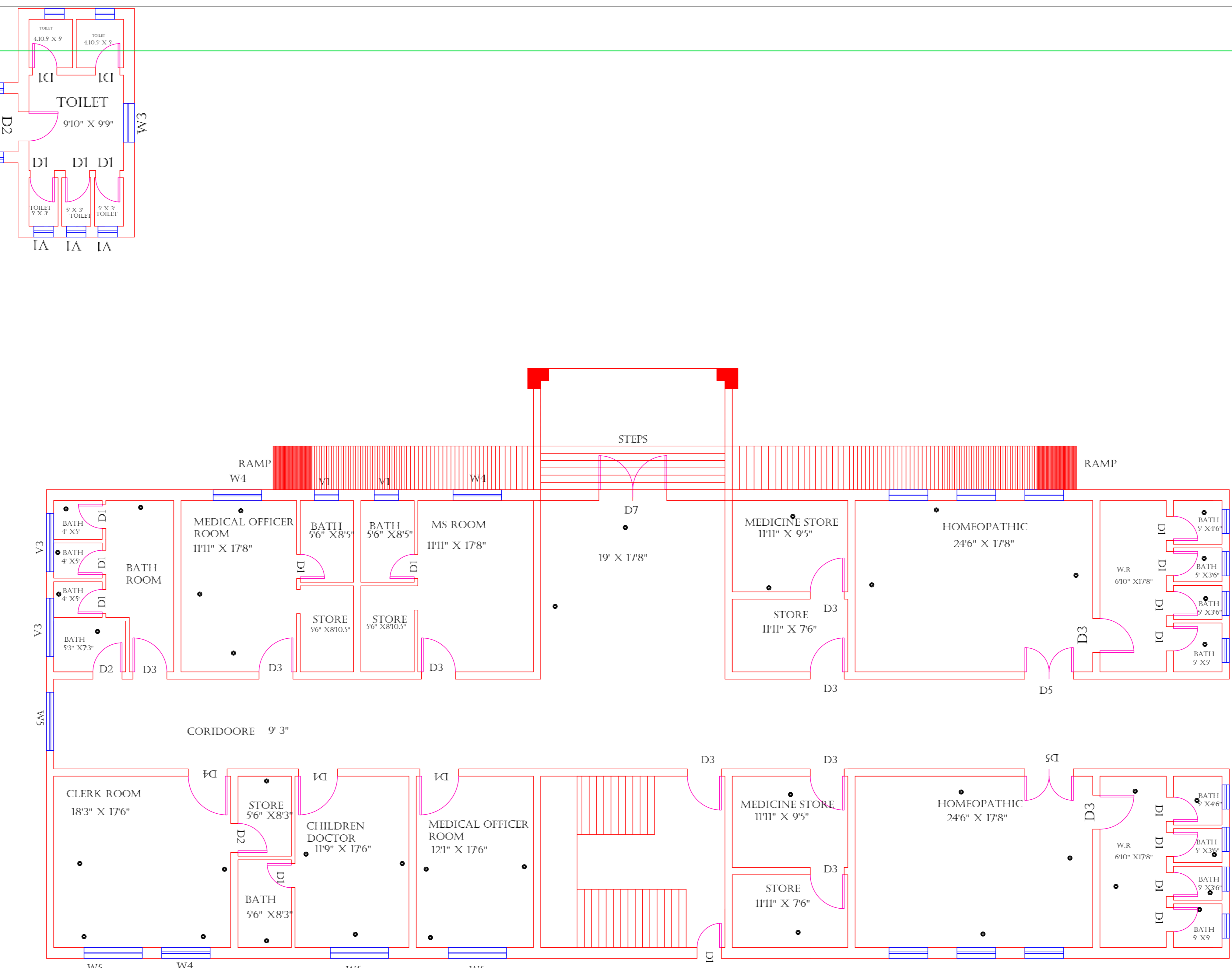
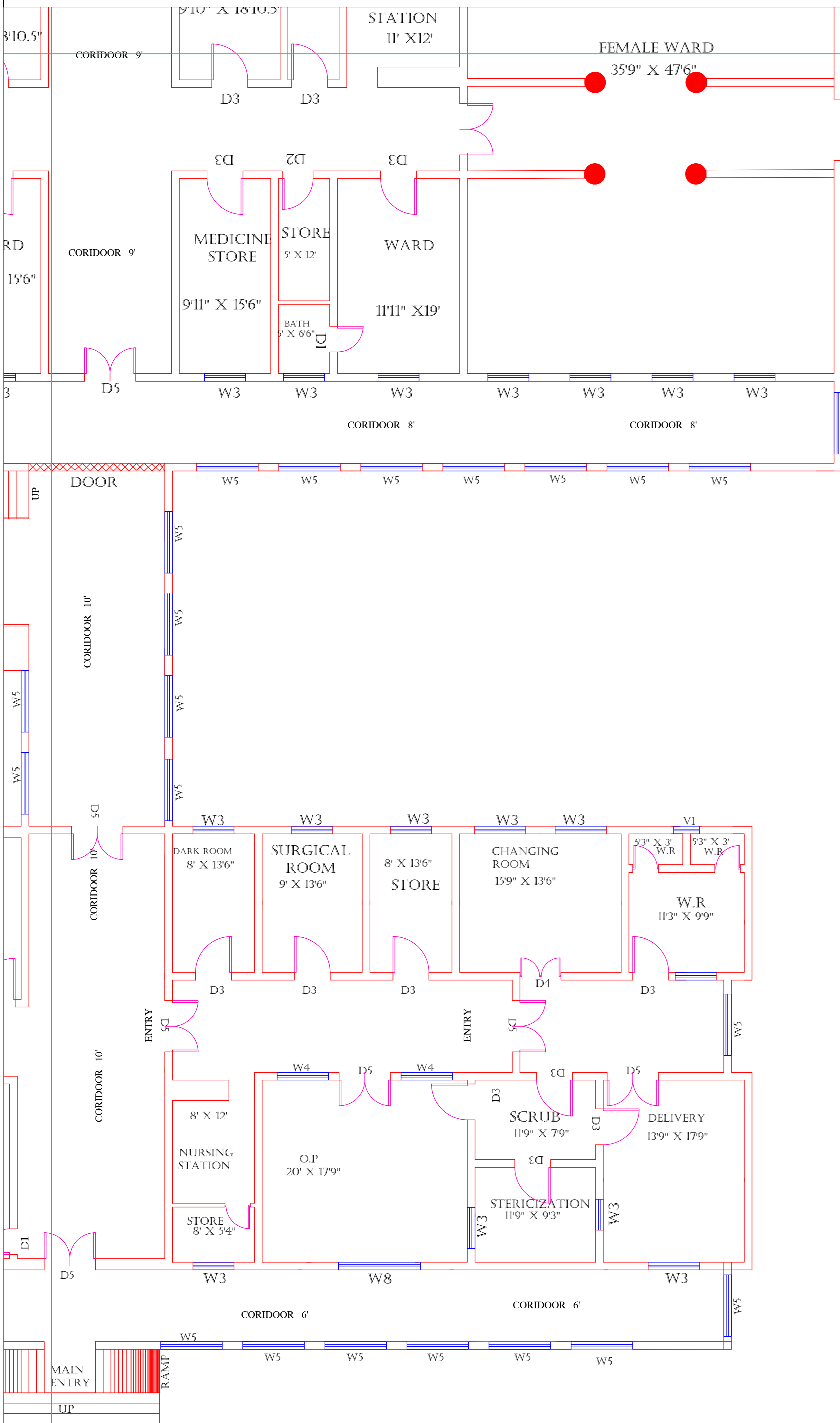
SKAFS CONSULTANT (Pvt.) Limited
ENGINEERING AND ENVIRONMENT CONSULTANT

Drawing Title:

**THQ LIAQATPUR
HOSPITAL CLINICAL BLOCK
PART 4**

Authorized By: SKAFS	Reviewed By: Co-Team Leader	Scale:
Prepared By: CAD TEAMS	Date: FEB, 2017	

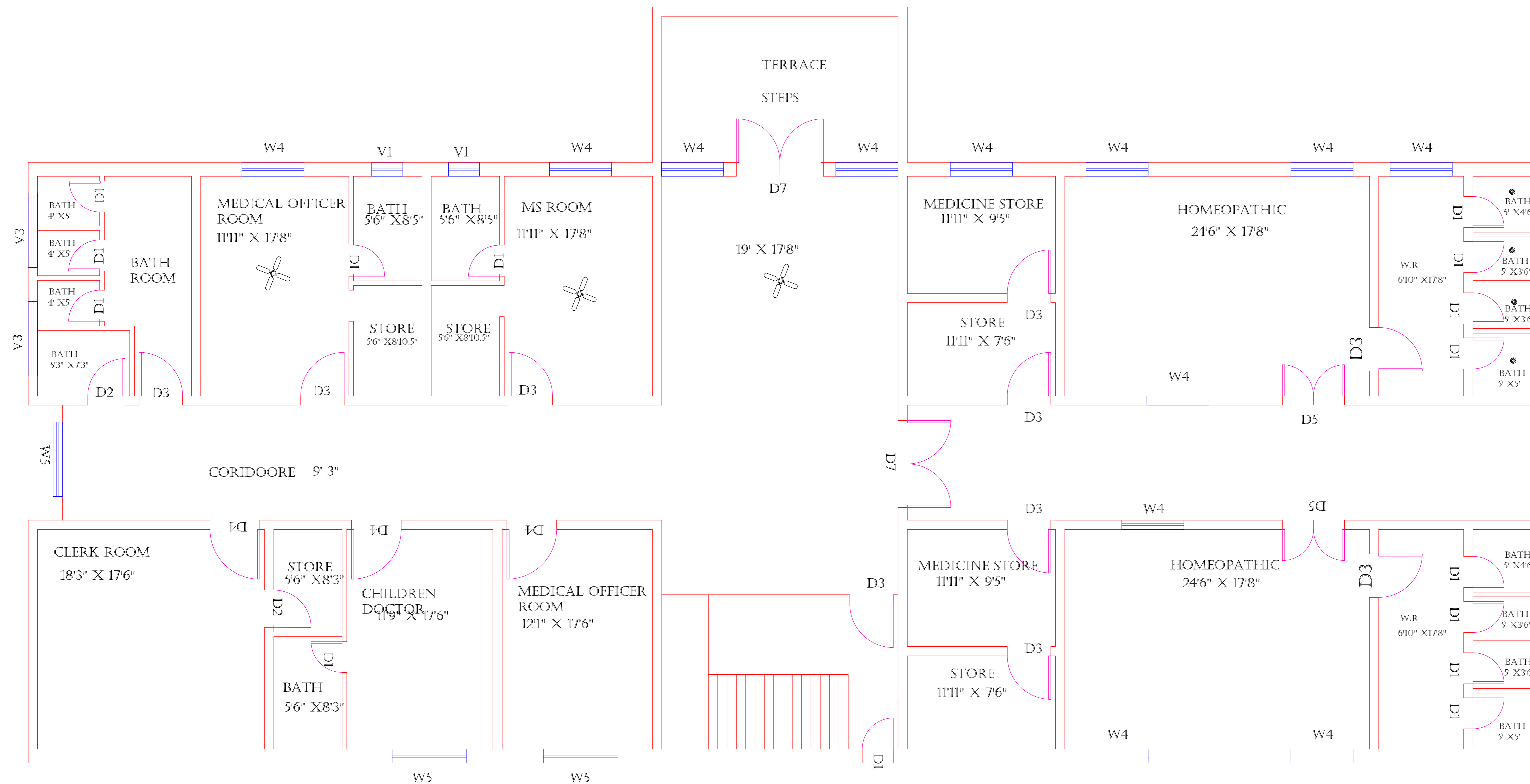
Drawing No. **SKAFS/LIAQATPUR /12**



EMERGENCY BLOCK

CLINICAL BLOCK OF THQ HOSPITAL LIAQATPUR

FIRST FLOOR (PART 1)



FIRST FLOOR

Legends:

RESIDENTIAL AREA	
ROAD	
WALL	
POWER LINE	
OHT	
TREE	
MANHOLE	
TUBE WELL	
LIGHT POLE	
LAWNS	
EARTHEN AREAS	
ASPHALTS ROADS	
TOUGH PAVERS	
P.C.C /PLINTH PROTECTION	
BOUNDARY WALL	
TAP	
HAND PUMP	
BRICK PAVERS	
AIR CONDITIONER	
TUBE LIGHT	
FAN	
ROOF LIGHT	
BULB	

AREA	
AREA WITHIN BOUNDARY WALL	255225.47 SFT
AREA OF CLINICAL BLOCK	54536.57 SFT
PLINTH AREA OF BLOCK	48641.92 SFT

OPENING SCHEDULE OF DOORS AND WINDOWS					
DOORS	WIDTH	HEIGHT	WINDOWS	WIDTH	HEIGHT
D1	2'-6"	7'-0"	W1	2'-6"	2'-6"
D2	3'-0"	7'-0"	W2	3'-0"	3'-0"
D3	3'-6"	7'-0"	W3	4'-0"	4'-0"
D4	4'-0"	7'-0"	W4	5'-0"	5'-0"
D5	5'-0"	7'-0"	W5	6'-0"	6'-0"
D6	6'-0"	7'-0"	W6	8'-0"	8'-0"
D7	7'-0"	7'-0"	W7	9'-0"	9'-0"
D8	8'-0"	7'-0"	V1		
D9			V2		

Client:



**GOVERNMENT OF THE PUNJAB
PRIMARY & SECONDARY
HEALTHCARE DEPARTMENT**

Project:

**CAD MAPPING OF TEHSIL
HEAD QUARTER HOSPITALS,
PUNJAB**

Consultant:



SKAFS CONSULTANT (Pvt.) Limited
ENGINEERING AND ENVIRONMENT CONSULTANT

Drawing Title: **THQ LIAQATPUR
HOSPITAL CLINICAL BLOCK
PART 4**

Authorized By: SKAFS	Reviewed By: Co-Team Leader	Scale:
Prepared By: CAD TEAMS	Date: FEB, 2017	

Drawing No. **SKAFS/LIAQATPUR /13**

ELECTRICAL LAYOUT PLAN OF THQ HOSPITAL LIAQATPUR GROUND FLOOR



Legends:

RESIDENTIAL AREA	
ROAD	
WALL	
POWER LINE	
OHT	
TREE	
MANHOLE	
TUBE WELL	
LIGHT POLE	
LAWNS	
EARTHEN AREAS	
ASPHALTS ROADS	
TOUGH PAVERS	
P.C.C /PLINTH PROTECTION	
BOUNDARY WALL	
TAP	
HAND PUMP	
BRICK PAVERS	
AIR CONDITIONER	
TUBE LIGHT	
FAN	
ROOF LIGHT	
BULB	

AREA	
AREA WITHIN BOUNDARY WALL	255225.47 SFT
AREA OF CLINICAL BLOCK	54536.57 SFT
PLINTH AREA OF BLOCK	48641.92 SFT

OPENING SCHEDULE OF DOORS AND WINDOWS

DOORS	WIDTH	HEIGHT	WINDOWS	WIDTH	HEIGHT
D1	2'-6"	7'-0"	W1	2'-6"	2'-6"
D2	3'-0"	7'-0"	W2	3'-0"	3'-0"
D3	3'-6"	7'-0"	W3	4'-0"	4'-0"
D4	4'-0"	7'-0"	W4	5'-0"	5'-0"
D5	5'-0"	7'-0"	W5	6'-0"	6'-0"
D6	6'-0"	7'-0"	W6	8'-0"	8'-0"
D7	7'-0"	7'-0"	W7	9'-0"	9'-0"
D8	8'-0"	7'-0"	V1		
D9			V2		

Client:



**GOVERNMENT OF THE PUNJAB
PRIMARY & SECONDARY
HEALTHCARE DEPARTMENT**

Project:

**CAD MAPPING OF TEHSIL
HEAD QUARTER HOSPITALS,
PUNJAB**

Consultant:



SKAFS CONSULTANT (Pvt.) Limited
ENGINEERING AND ENVIRONMENT CONSULTANT

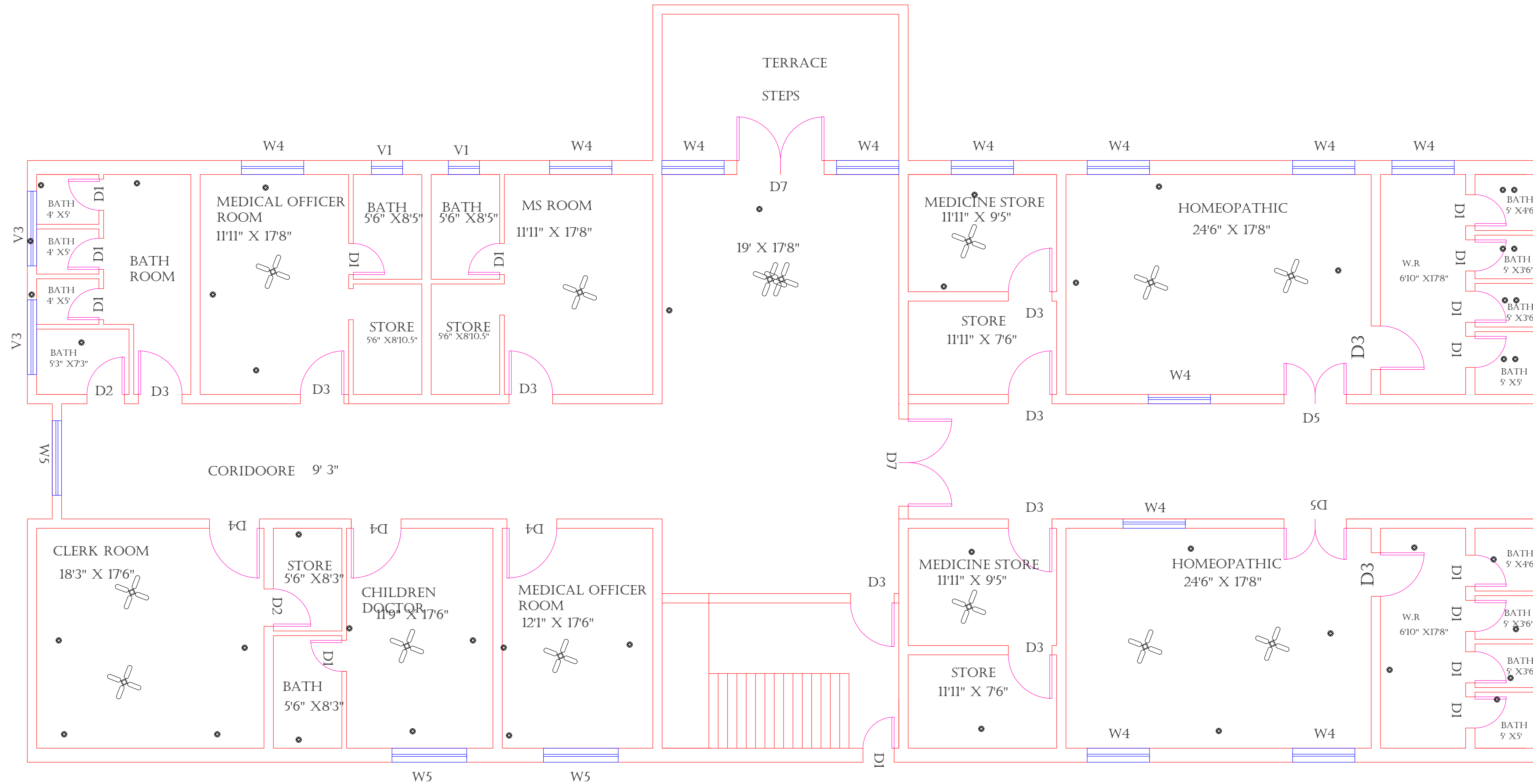
Drawing Title:

**THQ LIAQATPUR
ELECTRICAL LAYOUT
GROUND FLOOR**

Authorized By: SKAFS	Reviewed By: Co-Team Leader	Scale:
Prepared By: CAD TEAMS	Date: FEB, 2017	

Drawing No. **SKAFS/LIAQATPUR /14**

ELECTRICAL LAYOUT PLAN OF THQ HOSPITAL LIAQATPUR FIRST FLOOR



FIRST FLOOR

Legends:

RESIDENTIAL AREA	
ROAD	
WALL	
POWER LINE	
OHT	
TREE	
MANHOLE	
TUBE WELL	
LIGHT POLE	
LAWNS	
EARTHEN AREAS	
ASPHALTS ROADS	
TOUGH PAVERS	
P.C.C /PLINTH PROTECTION	
BOUNDARY WALL	
TAP	
HAND PUMP	
BRICK PAVERS	
AIR CONDITIONER	
TUBE LIGHT	
FAN	
ROOF LIGHT	
BULB	

AREA	
AREA WITHIN BOUNDARY WALL	255225.47 SFT
AREA OF CLINICAL BLOCK	54536.57 SFT
PLINTH AREA OF BLOCK	48641.92 SFT

OPENING SCHEDULE OF DOORS AND WINDOWS

DOORS	WIDTH	HEIGHT	WINDOWS	WIDTH	HEIGHT
D1	2'-6"	7'-0"	W1	2'-6"	2'-6"
D2	3'-0"	7'-0"	W2	3'-0"	3'-0"
D3	3'-6"	7'-0"	W3	4'-0"	4'-0"
D4	4'-0"	7'-0"	W4	5'-0"	5'-0"
D5	5'-0"	7'-0"	W5	6'-0"	6'-0"
D6	6'-0"	7'-0"	W6	8'-0"	8'-0"
D7	7'-0"	7'-0"	W7	9'-0"	9'-0"
D8	8'-0"	7'-0"	V1		
D9			V2		

Client:



GOVERNMENT OF THE PUNJAB
**PRIMARY & SECONDARY
HEALTHCARE DEPARTMENT**

Project:

**CAD MAPPING OF TEHSIL
HEAD QUARTER HOSPITALS,
PUNJAB**

Consultant:



SKAFS CONSULTANT (Pvt.) Limited
ENGINEERING AND ENVIRONMENT CONSULTANT

Drawing Title:

**THQ LIAQATPUR
ELECTRICAL LAYOUT
FIRST FLOOR**

Authorized By: SKAFS	Reviewed By Co-Team Leader	Scale:
Prepared By: CAD TEAMS	Date: FEB, 2017	

Drawing No. **SKAFS/LIAQATPUR /15**